

# INTERLACE BUSTER

High definition de-interlacing scan converter for Gem80 PLCs



The Interlace Buster is a high performance de-interlacing scan converter that has been designed, developed and manufactured in the UK by Calibre specifically for the Gem80.

This purpose designed product de-interlaces and stabilises a 15 KHz interlaced video signal and then converts it into VGA/SVGA style format which can be displayed on a wide range of VGA/SVGA and High Resolution monitors up to 20m from the source.

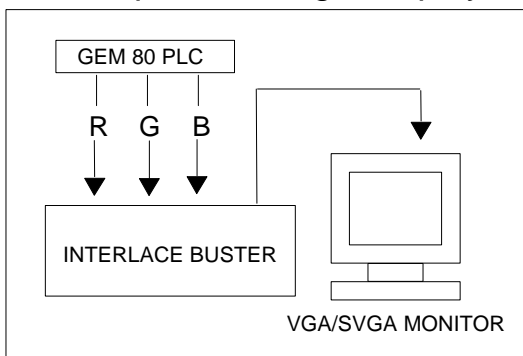
Being transparent to the host this stand alone/rack mountable in-line converter neatly dovetails into an existing system without the need for software upgrades, drivers or complex installation procedures.

Aimed initially at the traditional CEGELEC GEM-80 ImaGem graphics user base, this product offers a long-term cost effective solution to a user who is considering renewing a specialised, expensive long persistence phosphor display for whom until now using a quality, low-cost VGA monitor has been out of the question.

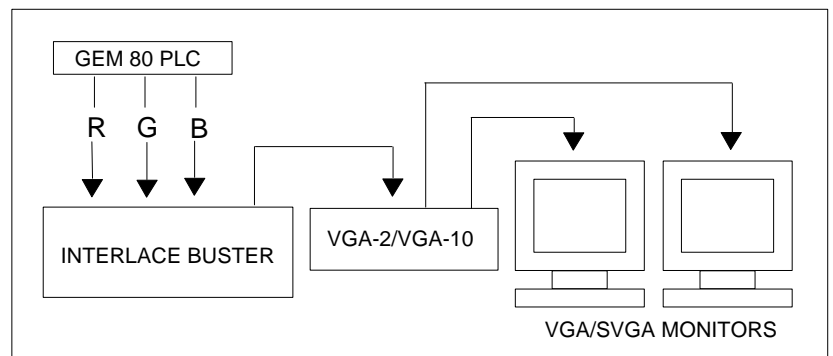
Interlace Buster can be used in conjunction with Calibre's VGA2, VGA10 and DisplayMaster products to offer distributed video output to multiple locations which can each be up to 100m from the video source.

Calibre can also provide a replacement video termination panel for the Gem80. This replacement termination panel, model G80DTP, is strongly recommended since it provides a better, more stable image quality from the Interlace Buster and greatly improves system immunity to electrical noise and interference.

Output to a single display



Output to multiple displays



# INTERLACE BUSTER

## High definition de-interlacing scan converter for Gem80 PLCs

### General Specification

#### Video Input

RGB analogue 1 volt 75 Ohm video input with:-

Selectable sync, either sync on green or separate composite sync via BNC connectors. Selectable termination on all four BNCs enabling loop through via BNC T-pieces (not included).

Selectable personality for either 15 KHz or 18 KHz GEM-80 formats to support:

GEM-80 Character video 640 x 320 resolution (Non-Interlaced)  
GEM-80 Graphics video 560 x 448 resolution (Interlaced)

#### Selectable Video Output

VGA/SVGA format 15 pin high density D-type connector.

RGB analogue 1-volt 75 Ohm signal with optional sync on green or separate composite sync via four BNC connectors. The composite sync option will automatically generate both TTL 0-5 volt level or analogue 1 volt level sync pulses.

Each giving a non-interlaced, flicker free picture in either of the following VGA/SVGA style modes:-

**Graphics Video**            mode (A) 31.5 KHz line 60 Hz frame  
   mode (B) 41 KHz line 80 Hz frame

**Character Video**           mode (A) 36 KHz line 56 Hz frame  
   mode (B) 55 KHz line 80 Hz frame

*Important Note: These special modes are not compatible with some low-cost LCD displays. Calibre can provide special LCD displays which are fully compatible with the output signals from the Interlace Buster. Please enquire for further details.*

#### Mains Input

Via filtered IEC inlet, switch selectable 110/240V with externally removable safety fuse. Includes UK mains lead.

Power consumption is approximately 18W. All video and mains connectors are rear mounted

#### Front Mounted User Controls

Picture width, height and vertical shift controls to compensate the video signal if the monitor is not adjustable.

Video input gain, Video Noise reduction

Selection between high or low line/frame refresh rate (modes A and B above).

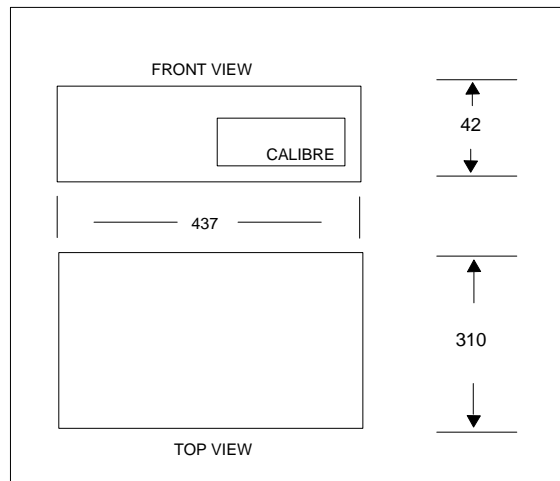
#### Mechanical Information

Steel, two-piece, satin black finish, desktop plinth measuring:-

- (1) Width 437 mm
- (2) Height 42 mm
- (3) Depth 310 mm

Note: These dimensions exclude feet, video connectors and user controls.

Weight (1) unpacked -4 Kg  
(2) packed -6 Kg



#### Safety & EMC

This product is designed to meet BS7002 and is CE marked.

#### Optional Accessories

**G80DTP:** Calibre can also provide a replacement video termination panel for the Gem80. This replacement termination panel, model G80DTP, is strongly recommended since it provides a better, more stable image quality from the Interlace Buster and greatly improves system immunity to electrical noise and interference.

**Calibre UK Ltd**  
**Cornwall House,**  
**Cornwall Terrace,**  
**Bradford, West Yorkshire**  
**BD8 7JS, England**

Tel +44 (0)1274 394125  
Fax +44 (0)1274 730960  
E-mail [sales@calibreuk.com](mailto:sales@calibreuk.com)  
Web-site [www.calibreuk.com](http://www.calibreuk.com)

